

PROJECT

NAME: MARTINEZ KITCHEN DESIGN
PROJECT NUMBER: 0001
ADDRESS: 6 MACMASTER PLACE, LITTLE BAY
CLIENT: ELLA MARTINEZ

REVISION DETAILS

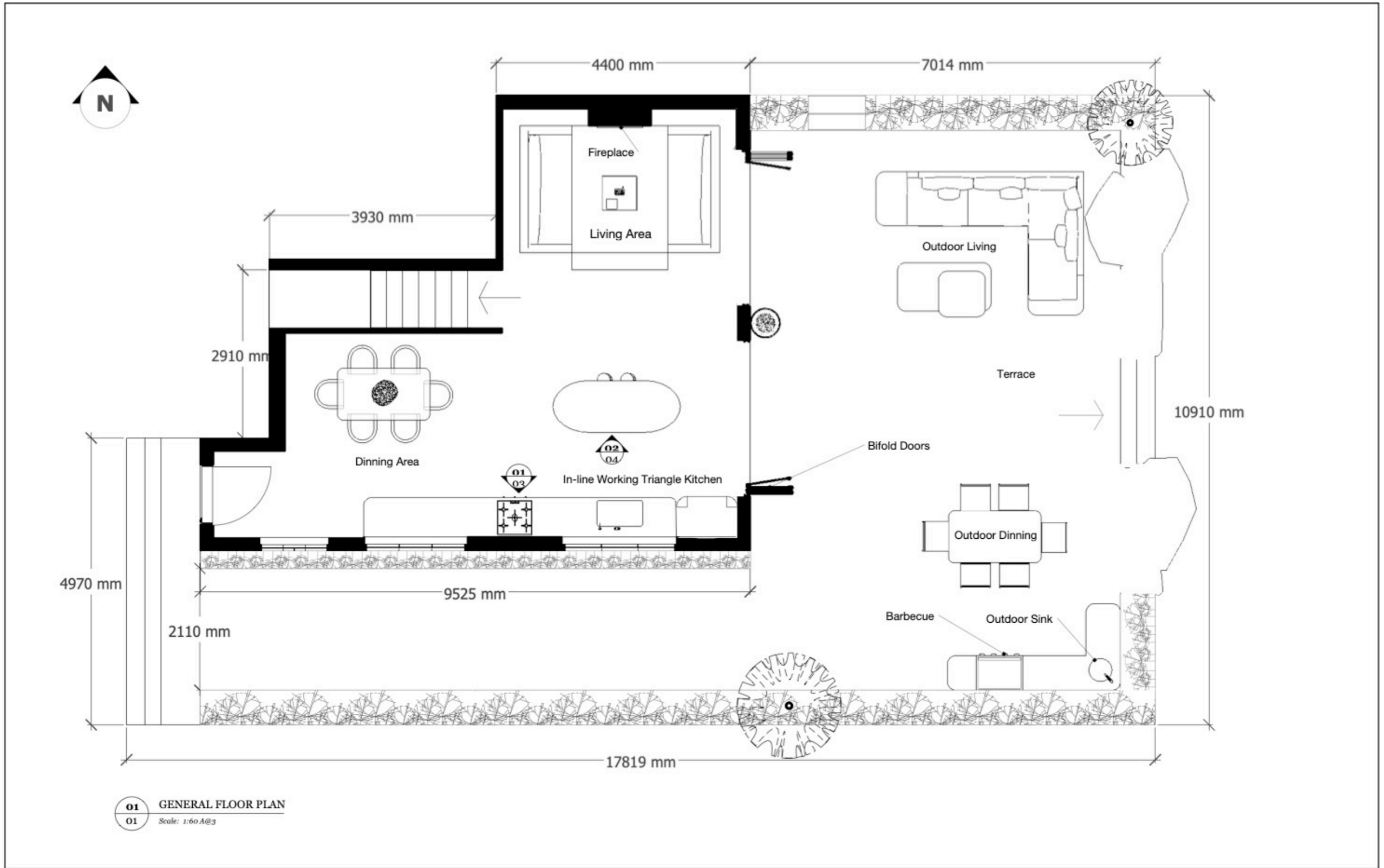
REVISION: A DATE: 23/11/2021 DESCRIPTION: PRELIMINARY DESIGN ISSUE

INDEX OF SHEETS

SHEET:	DRAWING:	SCALE:
01	GENERAL FLOOR PLAN	1:60 @ A3
02	KITCHEN FLOOR PLAN	1:20 @ A3
03	ELEVATION 1	1:20 @ A3
04	ELEVATION 2	1:20 @ A3
05	REFLECTED CEILING PLAN	1:20 @ A3
06	PANTRY SECTION	1:10 @ A3
07	DETAILS	1:2 @ A3

DESIGNER DETAILS

NAME: PAMELLA SILVA
CONTACT: (61) 450 711 960
EMAIL: PAMELLA.SILVA@BILLYBLUE.TORRENS.EDU.AU



01 GENERAL FLOOR PLAN
01 Scale: 1:60 A@3

GENERAL FLOOR PLAN

MARTINEZ RESIDENCE - KITCHEN DESIGN

INTERIOR DESIGNER: PAMELLA SILVA

DATE: 23/11/2021

SCALE: 1:60 @ A3

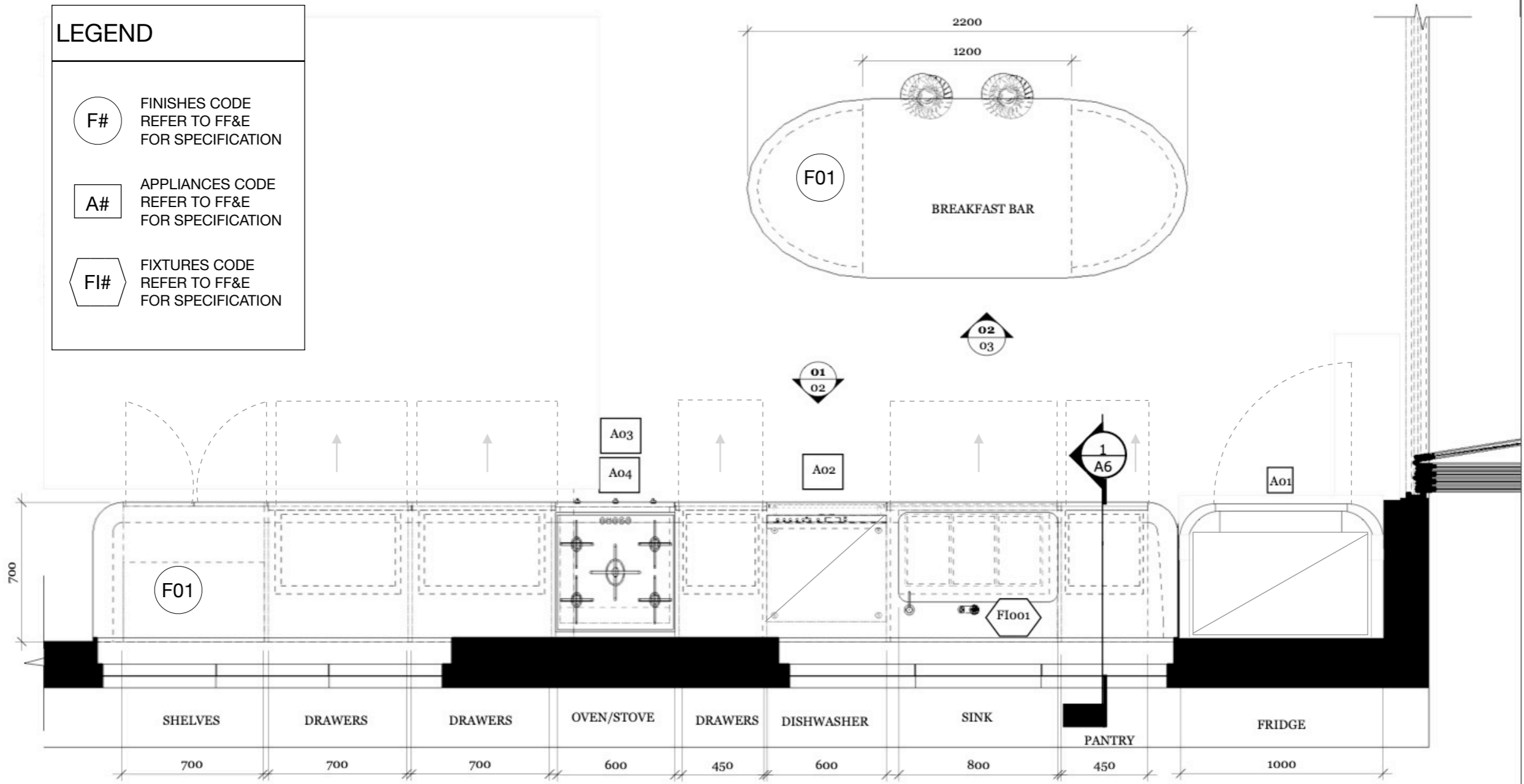
A 01

LEGEND

F# FINISHES CODE
REFER TO FF&E
FOR SPECIFICATION

A# APPLIANCES CODE
REFER TO FF&E
FOR SPECIFICATION

FI# FIXTURES CODE
REFER TO FF&E
FOR SPECIFICATION



01 KITCHEN FLOOR PLAN
02 Scale: 1:20 A@3

KITCHEN FLOOR PLAN

MARTINEZ RESIDENCE - KITCHEN DESIGN

DATE: 23/11/2021

INTERIOR DESIGNER: PAMELLA SILVA

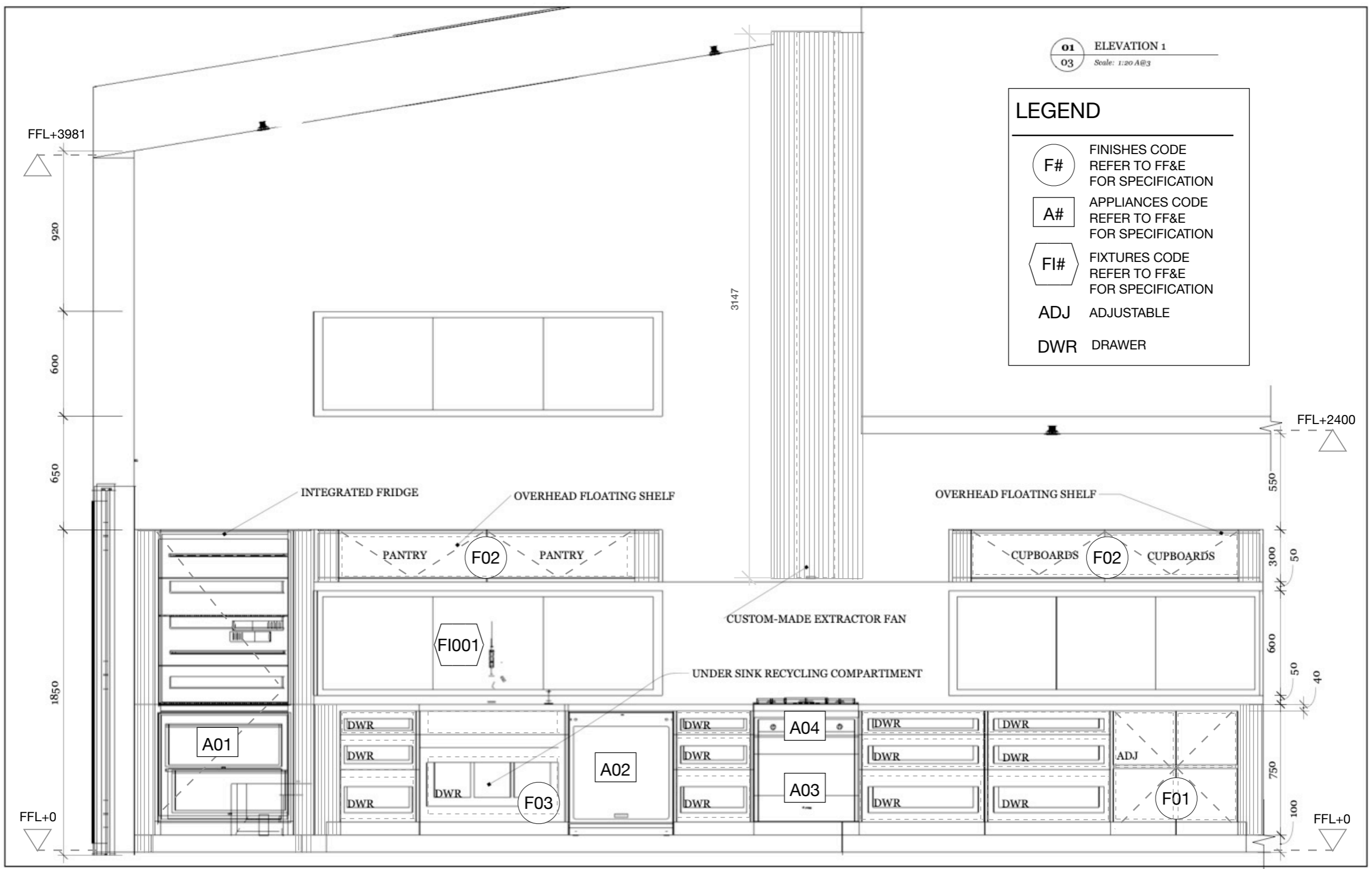
SCALE: 1:20 @ A3

A 02

01 ELEVATION 1
03 Scale: 1:20 A@3

LEGEND

- F# FINISHES CODE
REFER TO FF&E FOR SPECIFICATION
- A# APPLIANCES CODE
REFER TO FF&E FOR SPECIFICATION
- FI# FIXTURES CODE
REFER TO FF&E FOR SPECIFICATION
- ADJ ADJUSTABLE
- DWR DRAWER



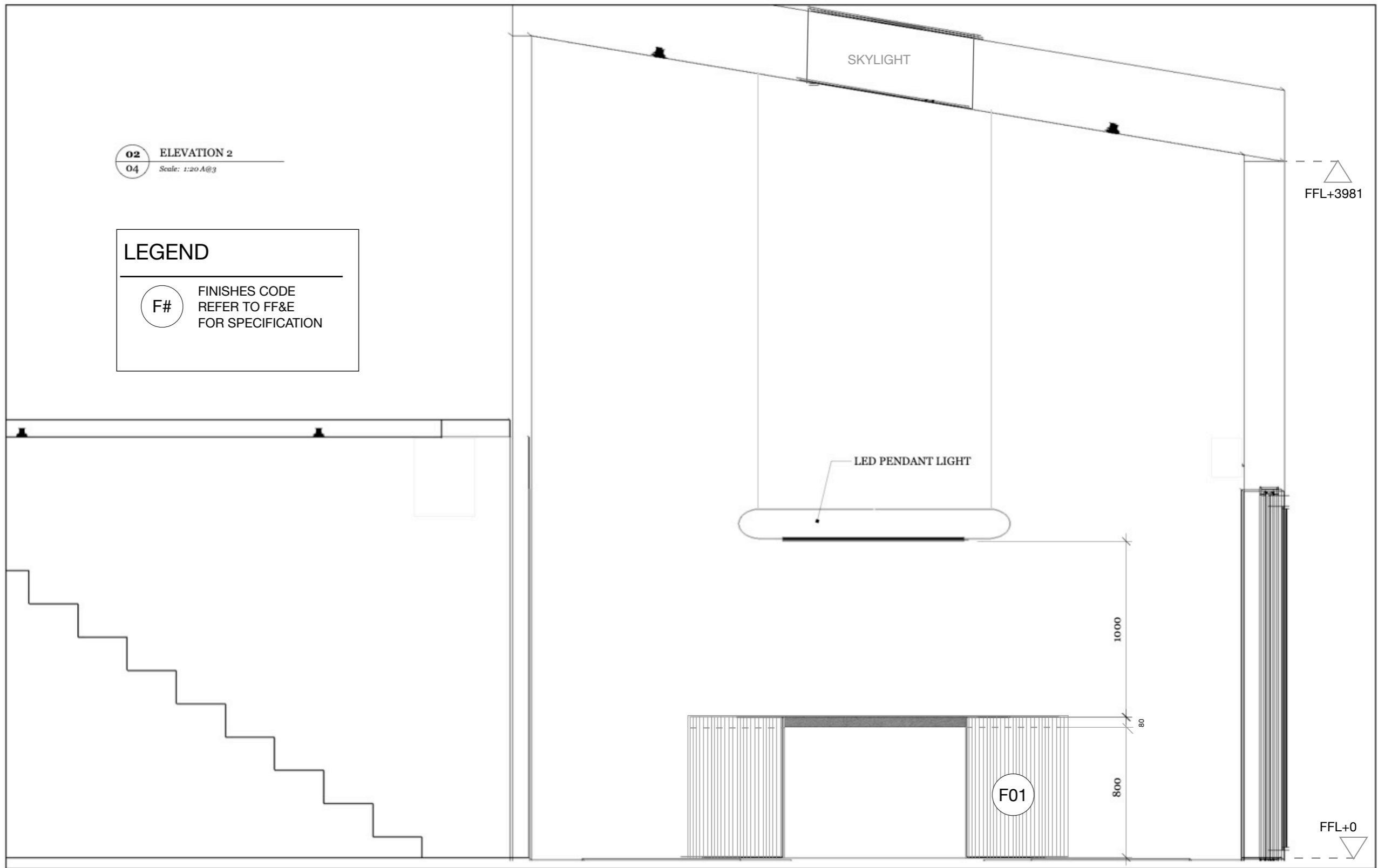
ELEVATION I	MARTINEZ RESIDENCE - KITCHEN DESIGN	DATE: 23/11/2021
	INTERIOR DESIGNER: PAMELLA SILVA	SCALE: 1:20 @ A3

A 03

02 ELEVATION 2
04 Scale: 1:20 A@3

LEGEND

F# FINISHES CODE
REFER TO FF&E
FOR SPECIFICATION



ELEVATION 2 / ISLAND

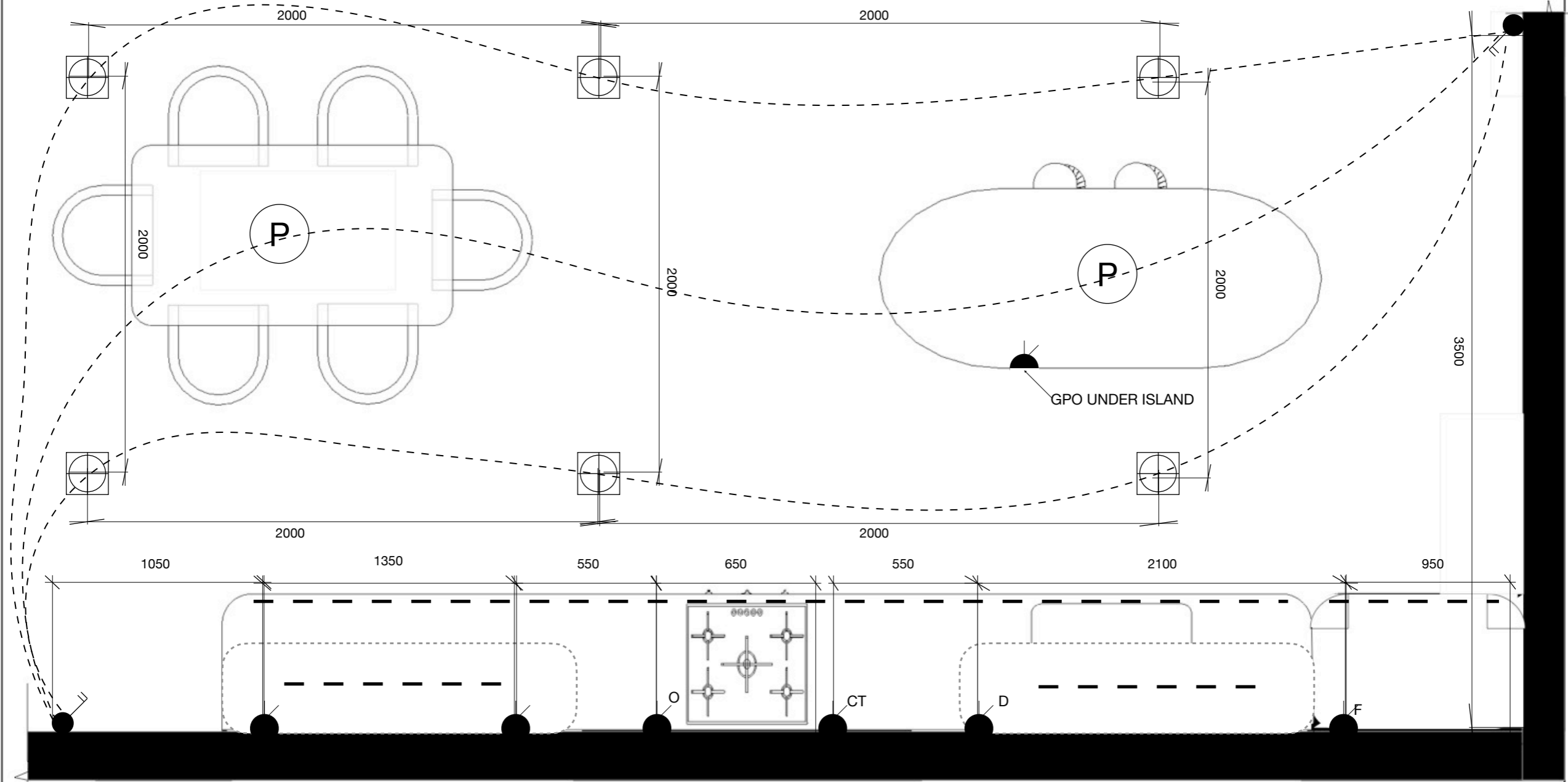
MARTINEZ RESIDENCE - KITCHEN DESIGN

DATE: 23/11/2021

INTERIOR DESIGNER: PAMELLA SILVA

SCALE: 1:20 @ A3

A 04



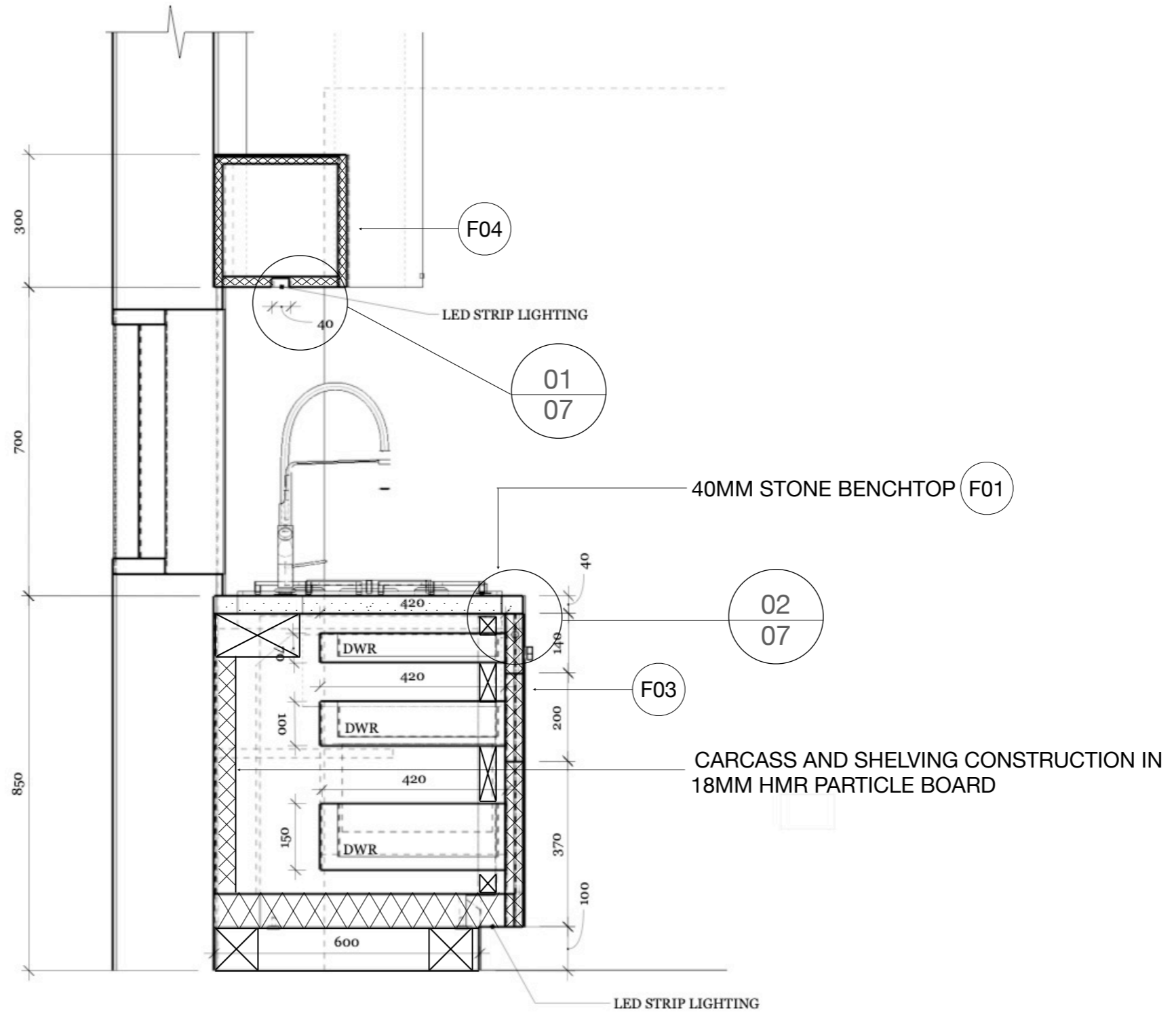
LEGEND	PENDANT LIGHT	FRIDGE GPO	OVEN GPO	LED STRIP LIGHTING	DOUBLE SWITCH DOUBLE
	DOUBLE GPO	COOKTOP GPO	DISHWASHER GPO	RECESSED DOWNLIGHT	

LEGEND

F# FINISHES CODE
REFER TO FF&E
FOR SPECIFICATION

A# APPLIANCES CODE
REFER TO FF&E
FOR SPECIFICATION

FI# FIXTURES CODE
REFER TO FF&E
FOR SPECIFICATION



01 PANTRY - SECTION
01 Scale: 1:10 A@3

PANTRY - SECTION

MARTINEZ RESIDENCE - KITCHEN DESIGN

INTERIOR DESIGNER: PAMELLA SILVA

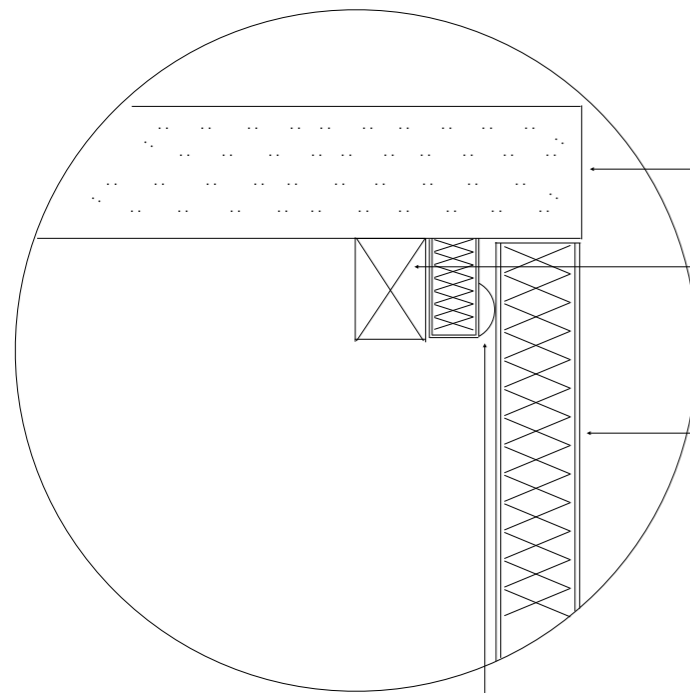
DATE: 23/11/2021

SCALE: 1:10 @ A3

A 06

LEGEND

- F# FINISHES CODE
REFER TO FF&E FOR SPECIFICATION
- A# APPLIANCES CODE
REFER TO FF&E FOR SPECIFICATION
- FI# FIXTURES CODE
REFER TO FF&E FOR SPECIFICATION

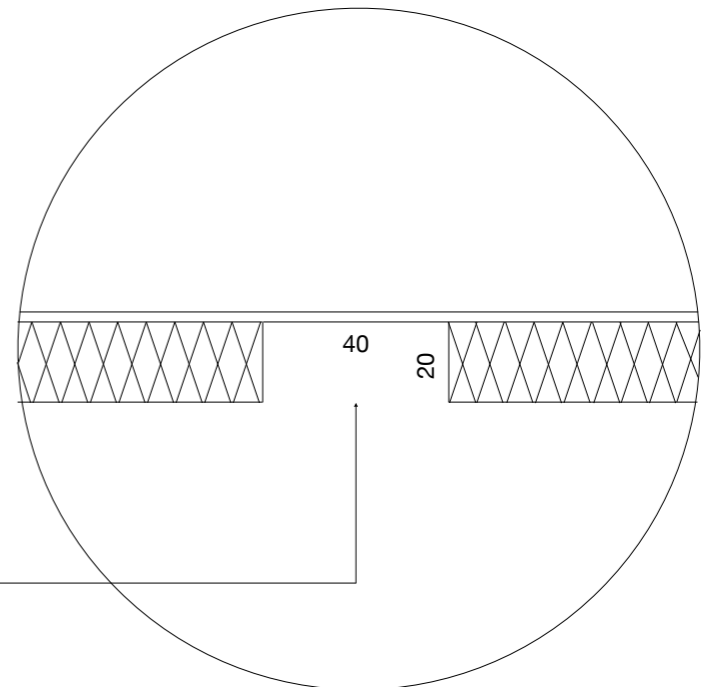


40MM STONE BENCHTOP (F01)

BRACKETS AND FIXING TO BE INSTALLED TO MANUFACTURERS SPECIFICATION

CUPBOARD DOORS CONSTRUCTED IN 18MM HMR, FINISHED WITH 1MM LAMINEX COATING (F03)

SILICONE BUMP PAD



CARCASS AND SHELVING CONSTRUCTION IN 18MM HMR PARTICLE BOARD

LED STRIP LIGHTING POCKET

01 BENCHTOP DETAIL
07 Scale: 1:2 A@3

02 SHELF DETAIL
07 Scale: 1:2 A@3